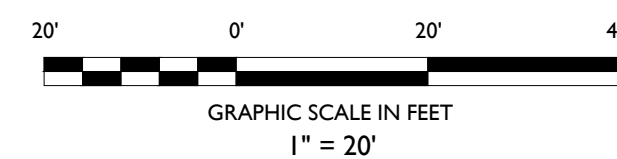
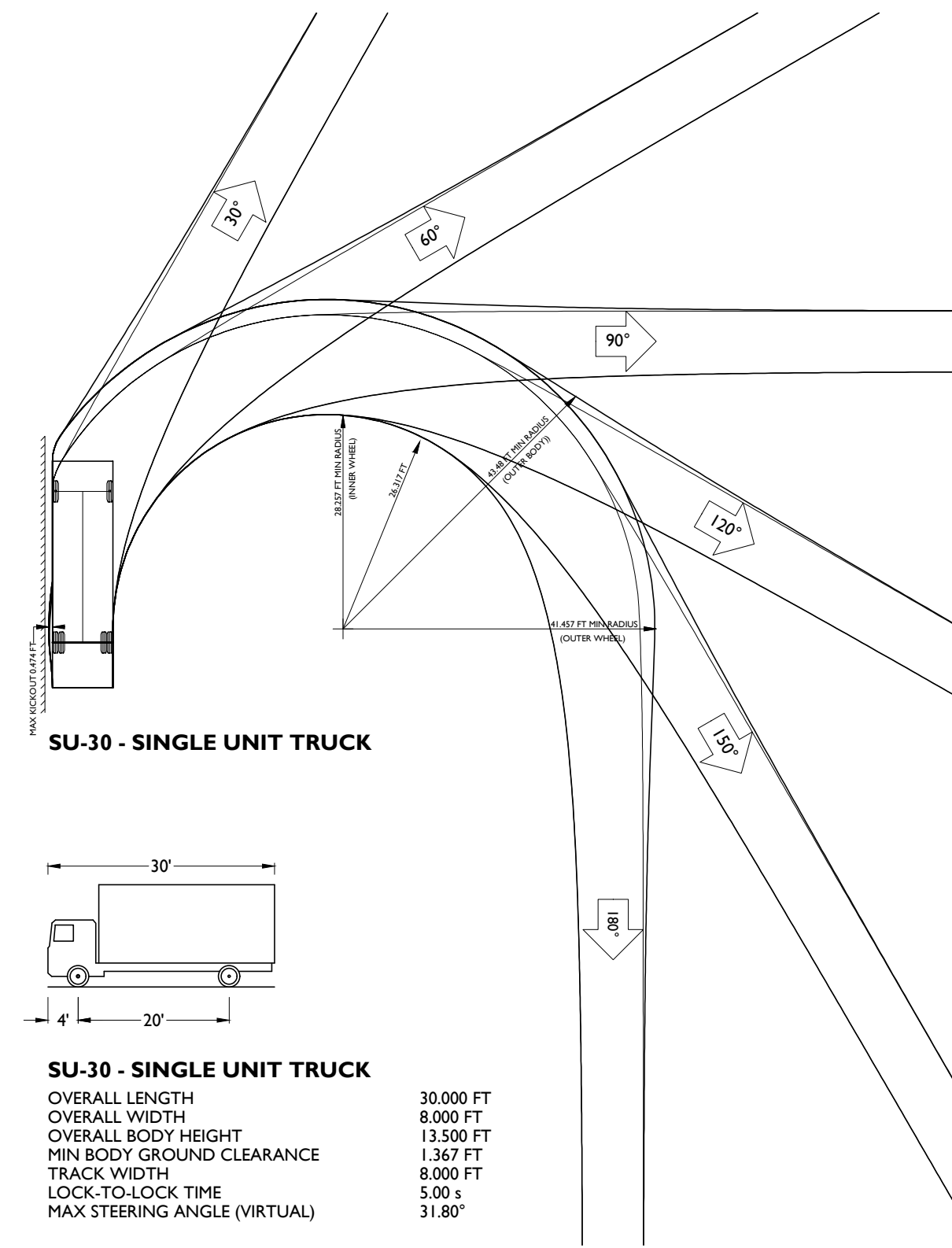
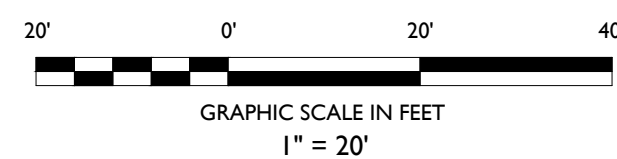
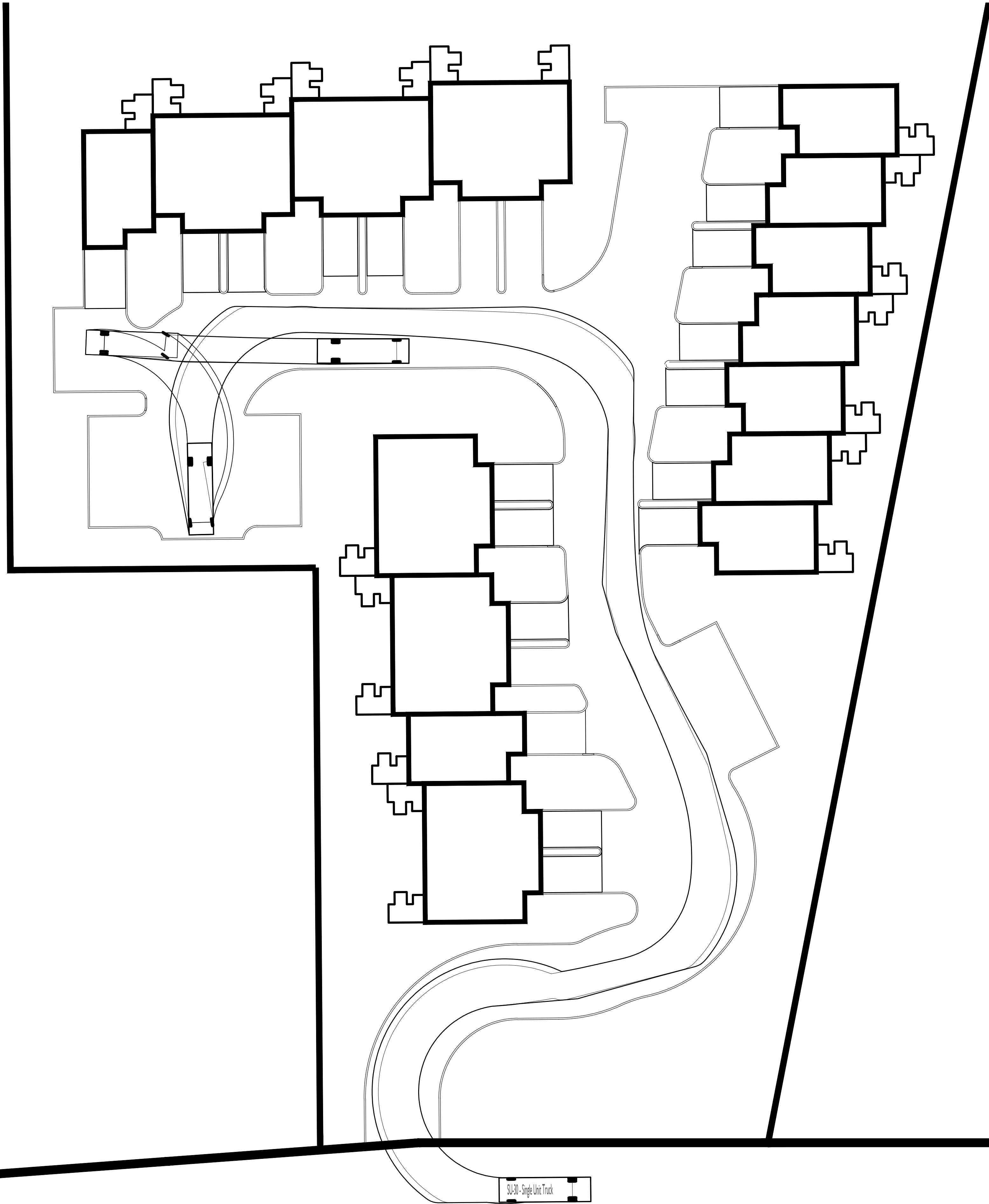


Z:\PHOTOGRAMMETRY\2020\17 GARDEN STATE REALTY & INVESTMENTS - 522 VALLEY ROAD, CLIFTON, NJ\2020\17SU30 TURNING TEMPLATES - CLIFTON, NJ.DWG



TURNING TEMPLATES

GARDEN STATE REALTY & INVESTMENTS
PROPOSED TOWNHOUSES

BLOCK 32.01, LOT 12
 522 VALLEY ROAD
 CITY OF CLIFTON
 PASSAIC COUNTY, NEW JERSEY

JOHN CORAK, P.E.
 NEW JERSEY LICENSE No. 54973
 LICENSED PROFESSIONAL ENGINEER



SCALE: SEE SCALE PROJECT ID: RUT-220013

TITLE:

SU-30 INGRESS

DRAWING:

1 OF 6

NOT APPROVED FOR CONSTRUCTION

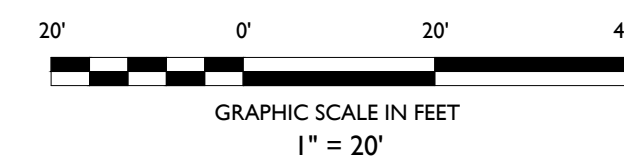
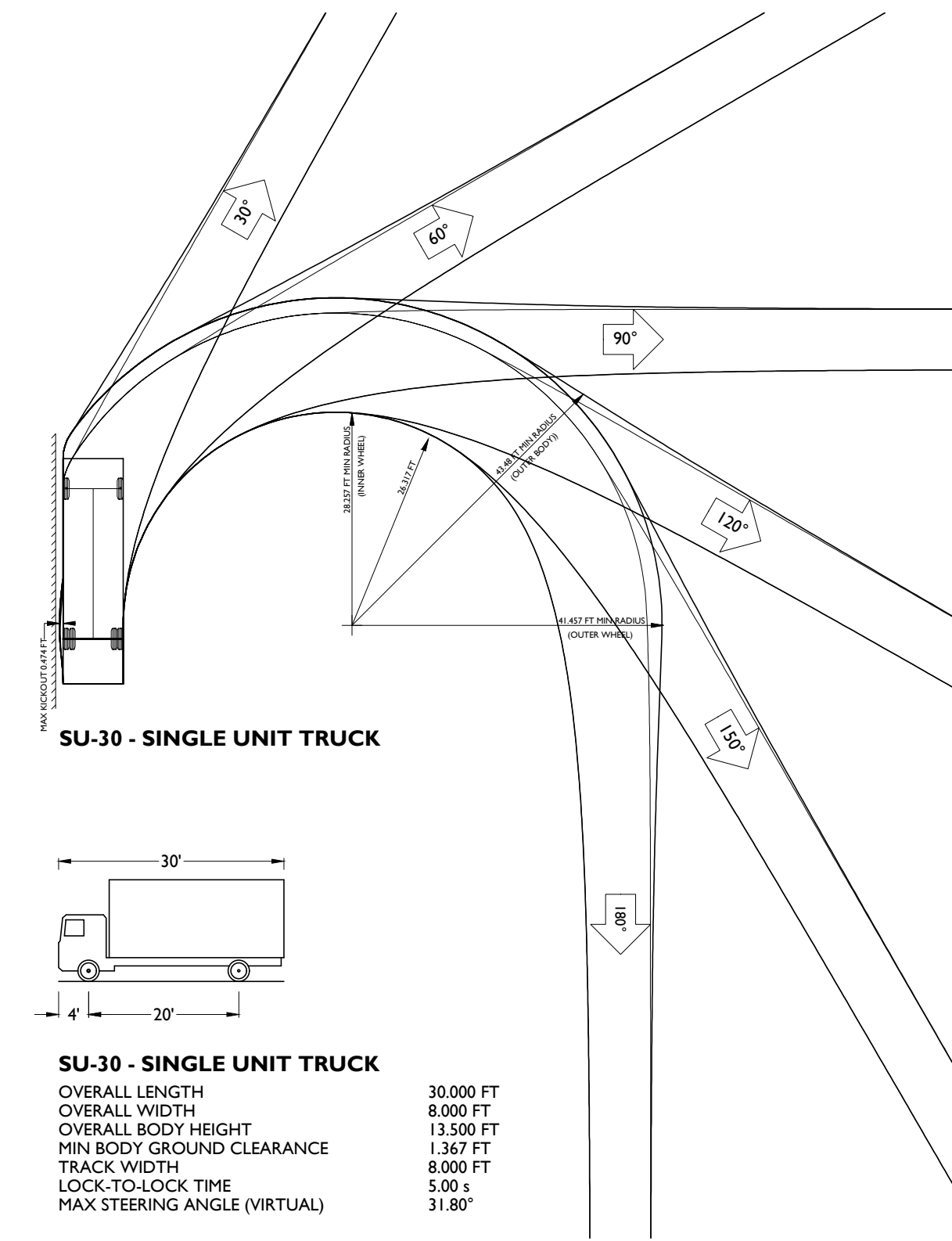
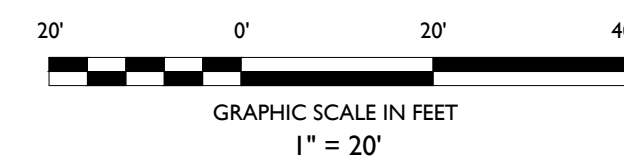
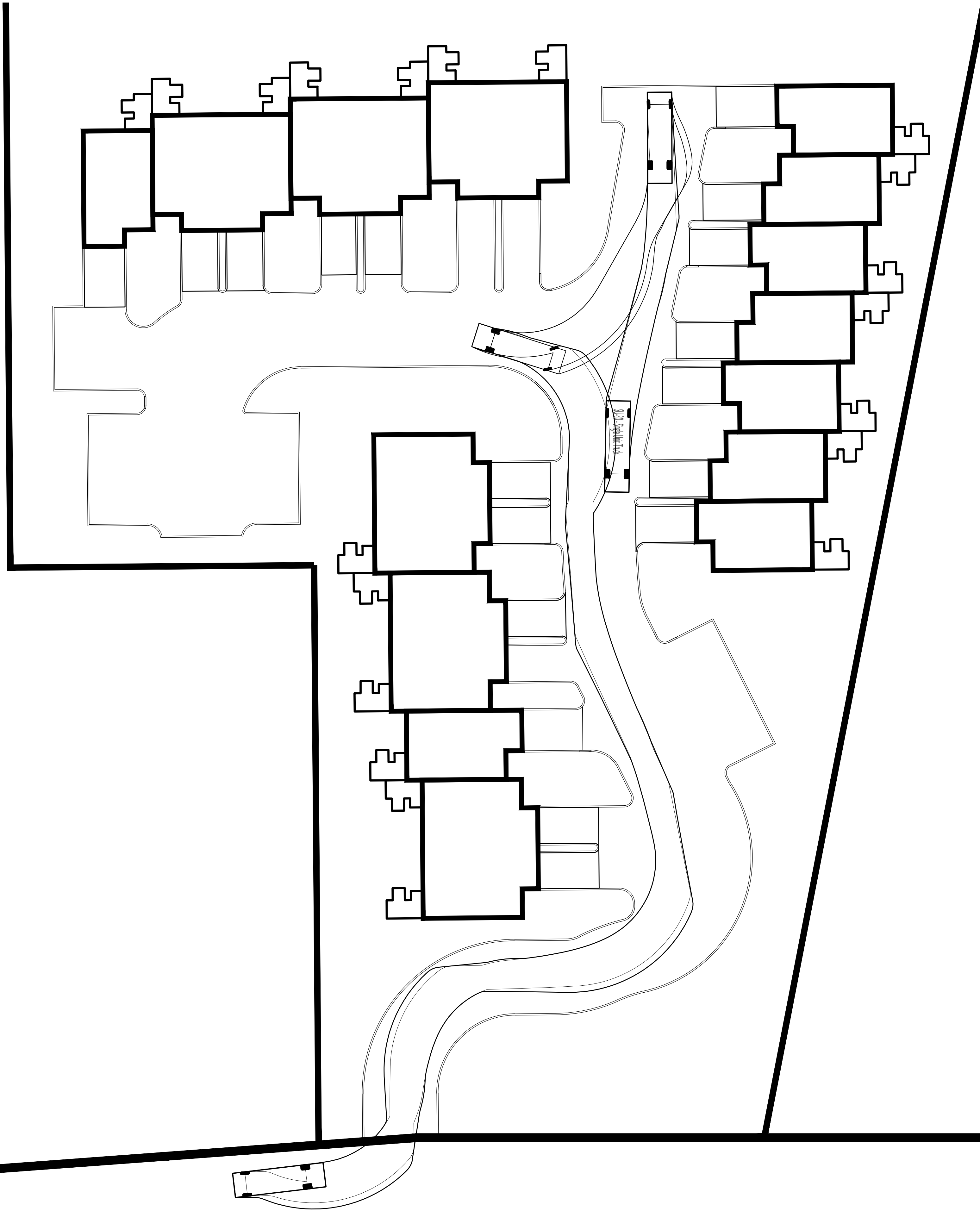


Rutherford, NJ · New York, NY · Boston, MA
 Princeton, NJ · Tampa, FL · Detroit, MI
 www.stonefielddesign.com

Headquarters: 92 Park Avenue, Rutherford, NJ 07070
 Phone 201.340.4468 · Fax 201.340.4472

ISSUE	DATE	BY	DESCRIPTION
1	10/04/2022	NLP	TURNING TEMPLATES

Z:\PHOTOGRAM\170328\17032817\2001\GARDEN STATE REALTY & INVESTMENTS - 521 VALLEY ROAD, CLIFTON, NJ\2020\081115\2020_0814 TURNING TEMPLATES - CLIFTON, NJ.DWG



TURNING TEMPLATES

GARDEN STATE REALTY & INVESTMENTS
PROPOSED TOWNHOUSES

BLOCK 32.01, LOT 12
 522 VALLEY ROAD
 CITY OF CLIFTON
 PASSAIC COUNTY, NEW JERSEY

JOHN CORAK, P.E.
 NEW JERSEY LICENSE No. 54973
 LICENSED PROFESSIONAL ENGINEER



SCALE: SEE SCALE PROJECT ID: RUT-220013

TITLE:

SU-30 EGRESS

DRAWING:

2 OF 6

NOT APPROVED FOR CONSTRUCTION

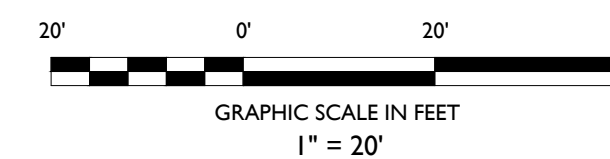
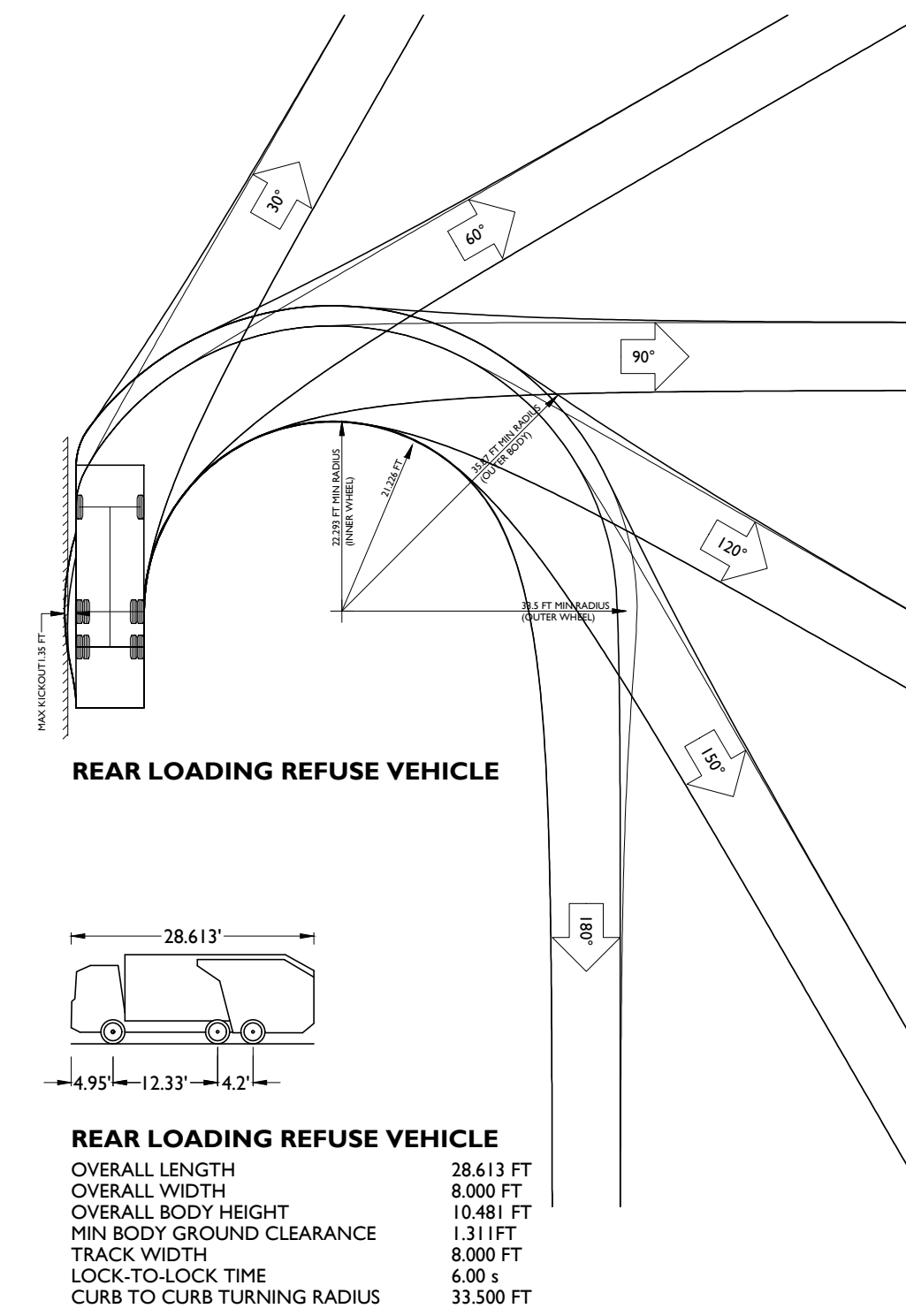
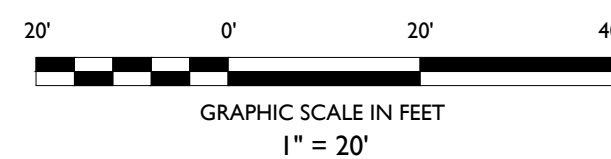
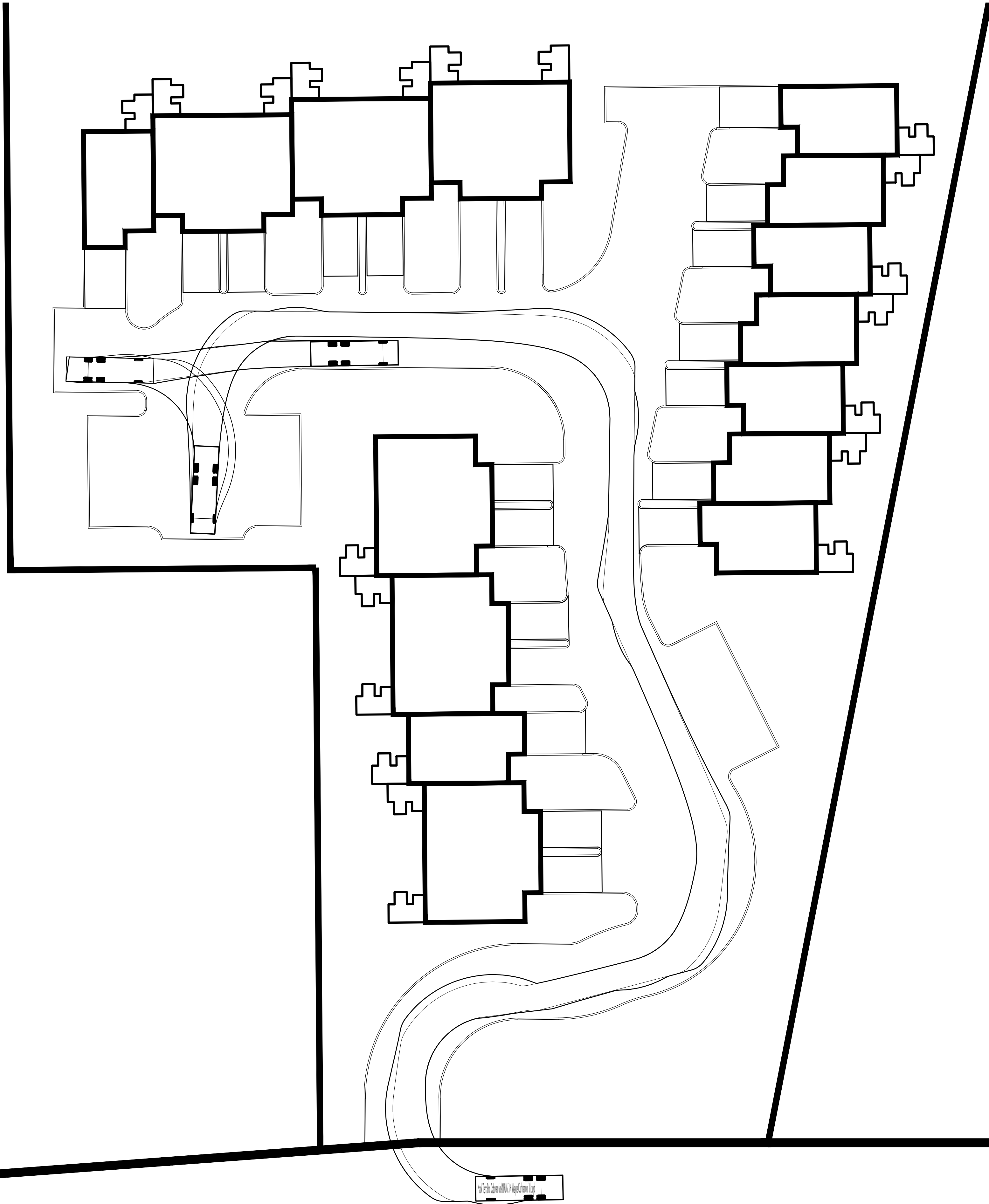


Rutherford, NJ · New York, NY · Boston, MA
 Princeton, NJ · Tampa, FL · Detroit, MI
 www.stonefielddesign.com

Headquarters: 92 Park Avenue, Rutherford, NJ 07070
 Phone 201.340.4468 · Fax 201.340.4472

ISSUE	DATE	BY	DESCRIPTION
1	10/04/2022	NLP	TURNING TEMPLATES

Z:\PHOTOGRAPHY\2020\12\202011\GARDEN STATE REALTY & INVESTMENTS - 522 VALLEY ROAD, CLIFTON, NJ\2020\12\202011\TURNING TEMPLATES - CLIFTON.rvt.dwg



TURNING TEMPLATES

**GARDEN STATE REALTY
& INVESTMENTS**

PROPOSED TOWNHOUSES
 BLOCK 32.01, LOT 12
 522 VALLEY ROAD
 CITY OF CLIFTON
 PASSAIC COUNTY, NEW JERSEY

JOHN CORAK, P.E.
 NEW JERSEY LICENSE No. 54973
 LICENSED PROFESSIONAL ENGINEER



SCALE: SEE SCALE PROJECT ID: RUT-220013

TITLE:

**GARBAGE TRUCK
INGRESS**

DRAWING:

3 OF 6

NOT APPROVED FOR CONSTRUCTION

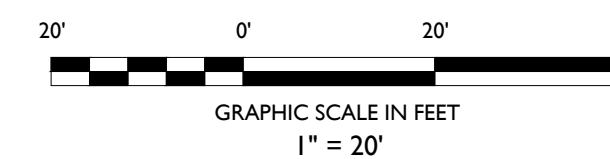
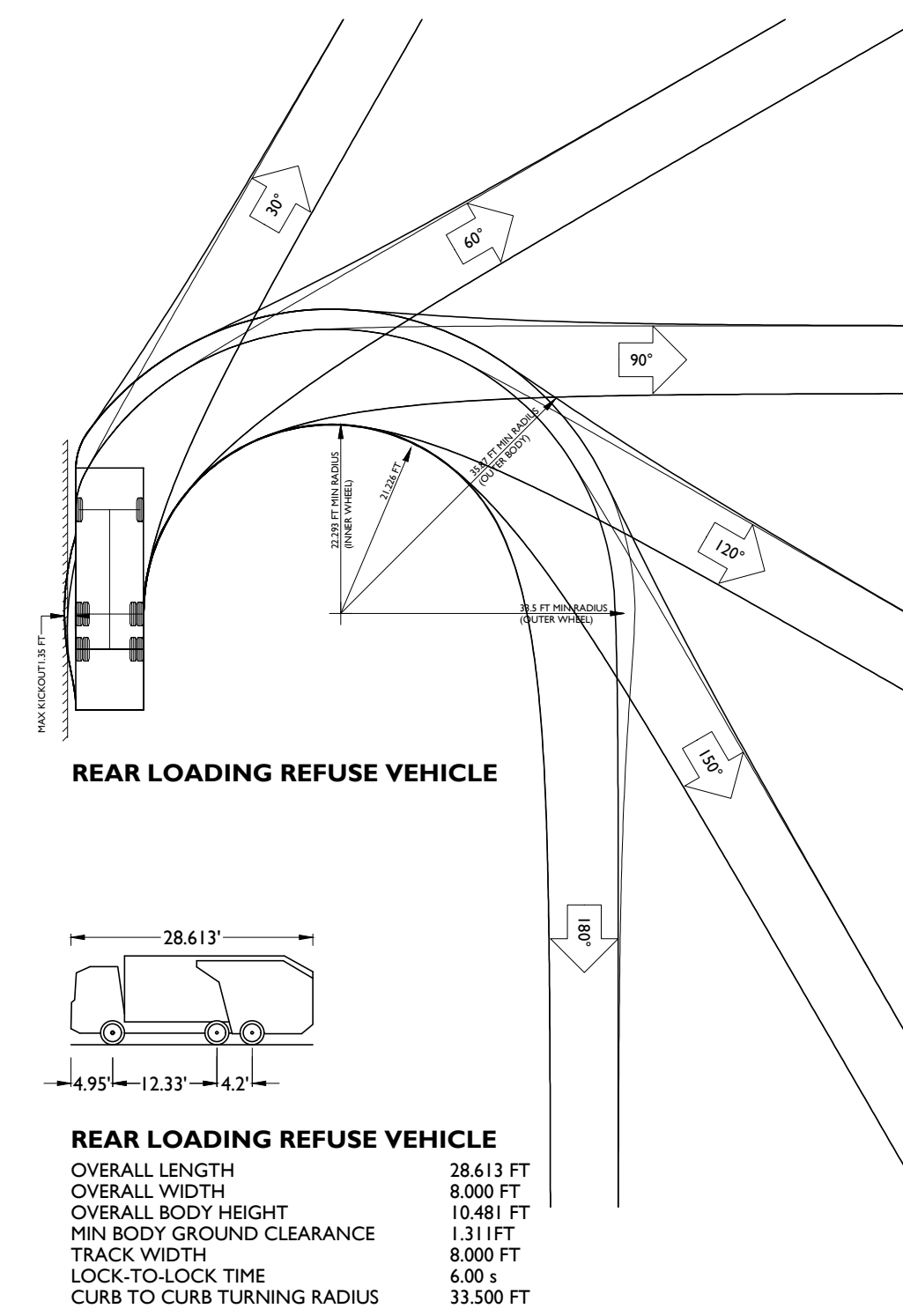
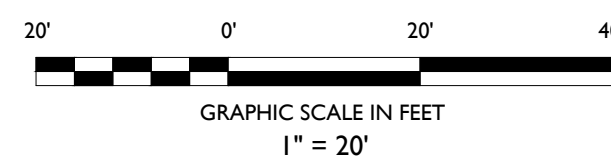
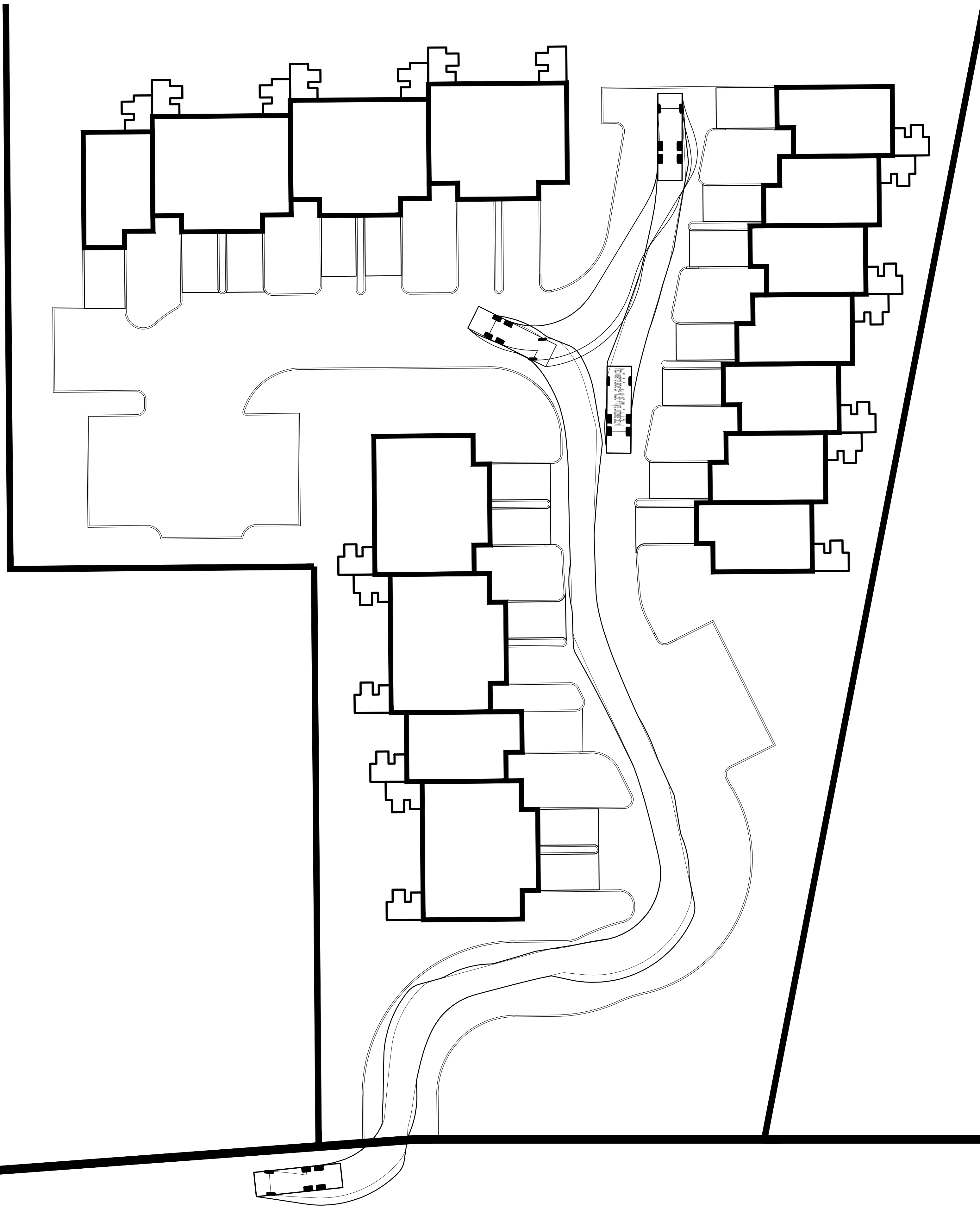


Rutherford, NJ · New York, NY · Boston, MA
 Princeton, NJ · Tampa, FL · Detroit, MI
 www.stonefielddesign.com

Headquarters: 92 Park Avenue, Rutherford, NJ 07070
 Phone 201.340.4468 · Fax 201.340.4472

ISSUE	DATE	BY	DESCRIPTION
1	10/04/2022	NLP	TURNING TEMPLATES

Z:\PHOTOGRAPHY\2020\12\202012\GARDEN STATE REALTY & INVESTMENTS - 522 VALLEY ROAD, CLIFTON, NJ\2020\12\202012\104 TURNING TEMPLATES - CLIFTON, NJ.DWG



TURNING TEMPLATES

**GARDEN STATE REALTY
& INVESTMENTS**
PROPOSED TOWNHOUSES

BLOCK 32.01, LOT 12
 522 VALLEY ROAD
 CITY OF CLIFTON
 PASSAIC COUNTY, NEW JERSEY

JOHN CORAK, P.E.
 NEW JERSEY LICENSE No. 54973
 LICENSED PROFESSIONAL ENGINEER



SCALE: SEE SCALE PROJECT ID: RUT-220013

TITLE:

**GARBAGE TRUCK
EGRESS**

DRAWING:

4 OF 6

NOT APPROVED FOR CONSTRUCTION

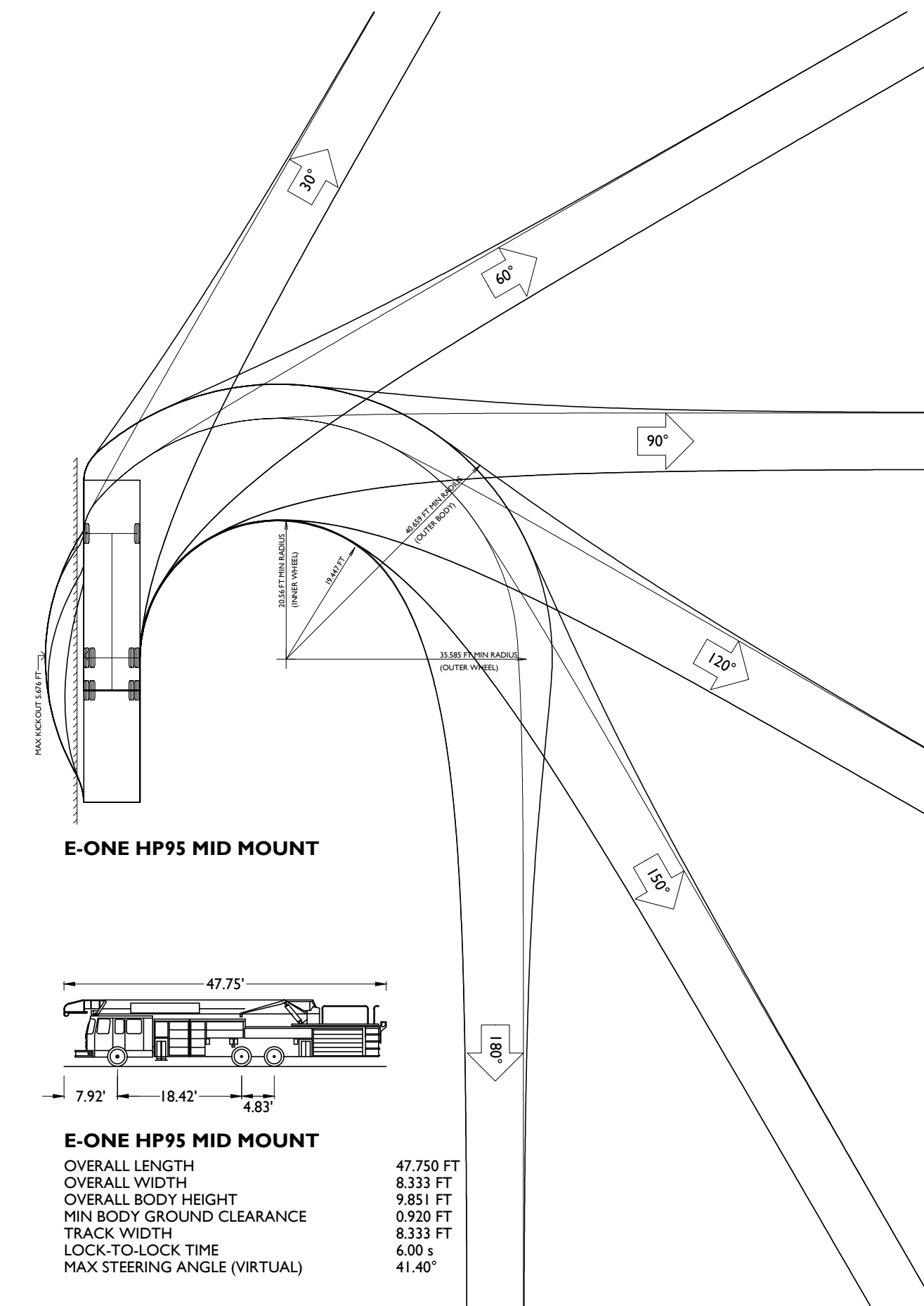
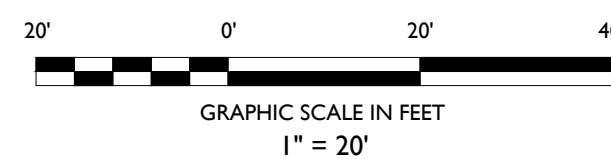
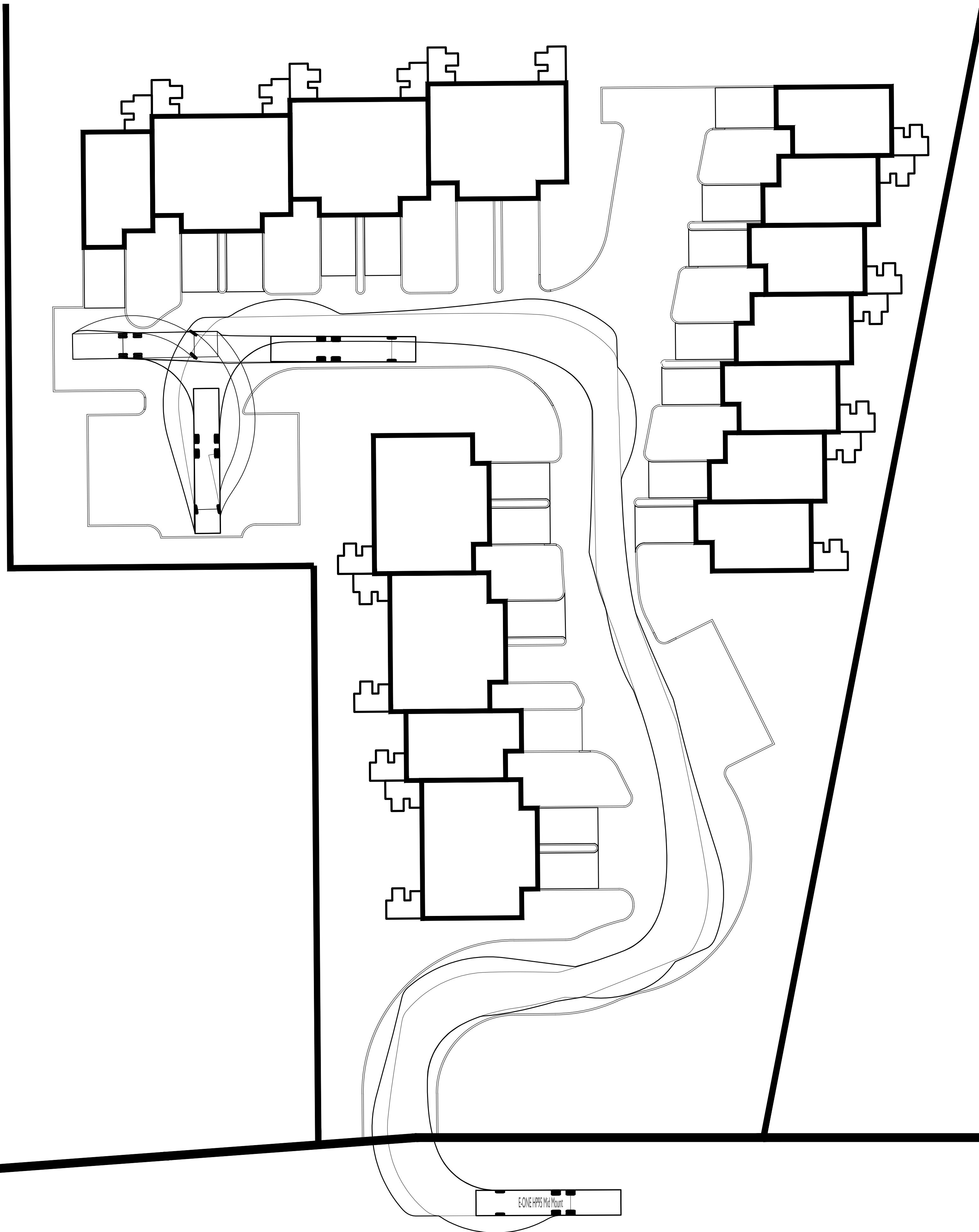


Rutherford, NJ · New York, NY · Boston, MA
 Princeton, NJ · Tampa, FL · Detroit, MI
 www.stonefielddesign.com

Headquarters: 92 Park Avenue, Rutherford, NJ 07070
 Phone 201.340.4468 · Fax 201.340.4472

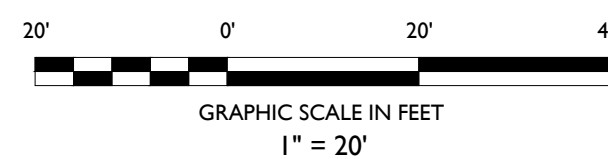
ISSUE	DATE	BY	DESCRIPTION
1	10/04/2022	NLP	TURNING TEMPLATES

Z:\PHOTOGRAM\170328\170328.dwg | GARDEN STATE REALTY & INVESTMENTS - 522 VALLEY ROAD, CLIFTON, NJ 07011 | 10/04/2022 10:04 AM TURNING TEMPLATES - CLIFTON, NJ.DWG



E-ONE HP95 MID MOUNT

OVERALL LENGTH	47.750 FT
OVERALL WIDTH	8.333 FT
OVERALL BODY HEIGHT	9.851 FT
MIN BODY GROUND CLEARANCE	6.920 FT
TRACK WIDTH	8.333 FT
LOCK-TO-LOCK TIME	6.00 s
MAX STEERING ANGLE (VIRTUAL)	41.40°



TURNING TEMPLATES

GARDEN STATE REALTY & INVESTMENTS
PROPOSED TOWNHOUSES

BLOCK 32.01, LOT 12
 522 VALLEY ROAD
 CITY OF CLIFTON
 PASSAIC COUNTY, NEW JERSEY

JOHN CORAK, P.E.
 NEW JERSEY LICENSE No. 54973
 LICENSED PROFESSIONAL ENGINEER



SCALE: SEE SCALE PROJECT ID: RUT-220013

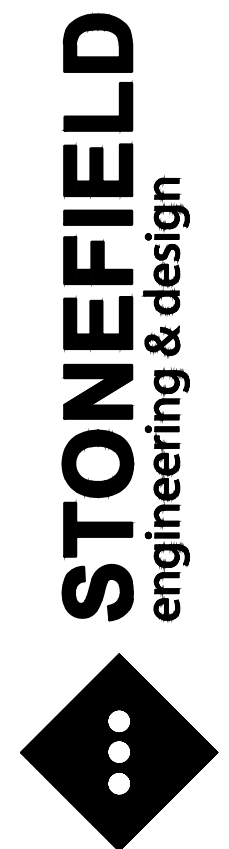
TITLE:

FIRE TRUCK INGRESS

DRAWING:

5 OF 6

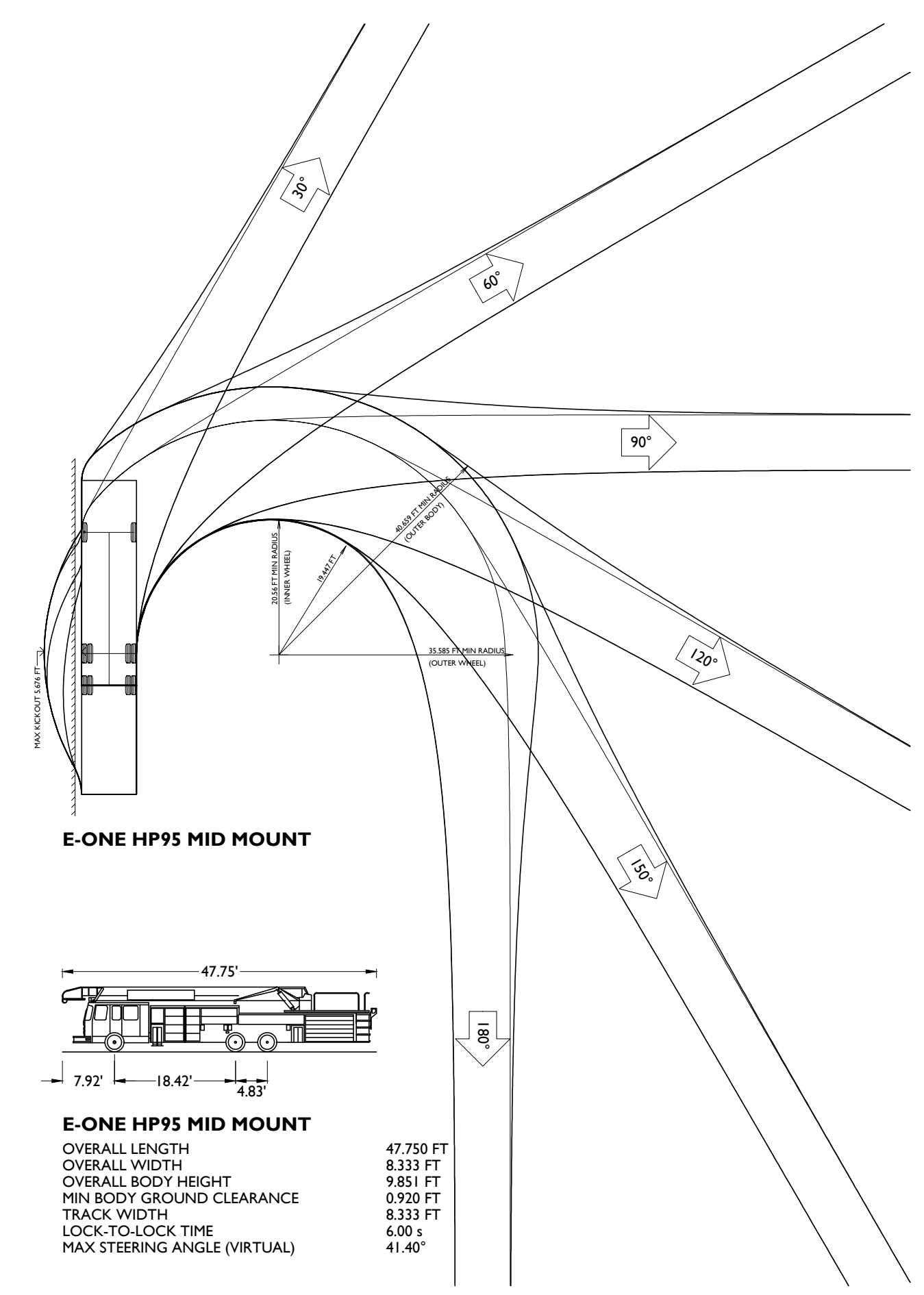
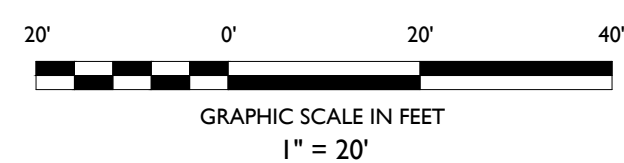
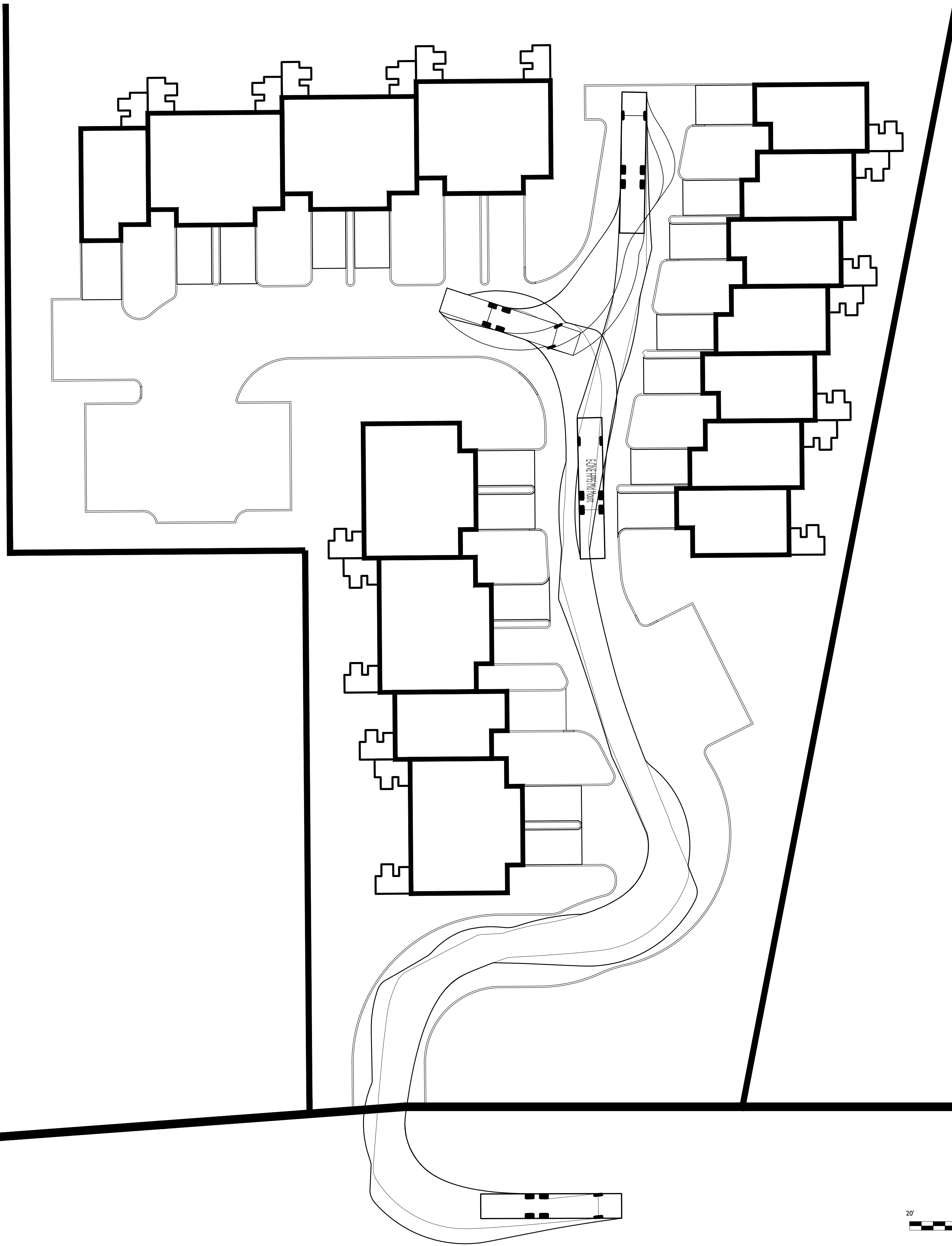
NOT APPROVED FOR CONSTRUCTION



Rutherford, NJ · New York, NY · Boston, MA
 Princeton, NJ · Tampa, FL · Detroit, MI
 www.stonefielddesign.com

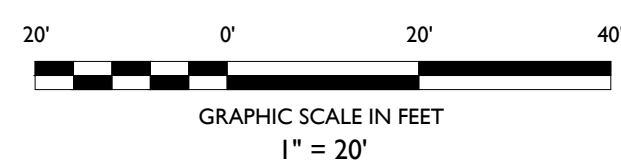
Headquarters: 92 Park Avenue, Rutherford, NJ 07070
 Phone 201.340.4468 · Fax 201.340.4472

ISSUE	DATE	BY	DESCRIPTION
1	10/04/2022	NLP	TURNING TEMPLATES



E-ONE HP95 MID MOUNT

OVERALL LENGTH	47.750 FT
OVERALL WIDTH	8.333 FT
OVERALL BODY HEIGHT	9.851 FT
MIN BODY GROUND CLEARANCE	6.920 FT
TRACK WIDTH	8.333 FT
LOCK-TO-LOCK TIME	6.00 s
MAX STEERING ANGLE (VIRTUAL)	41.40°



TURNING TEMPLATES

GARDEN STATE REALTY & INVESTMENTS
PROPOSED TOWNHOUSES

BLOCK 32.01, LOT 12
 522 VALLEY ROAD
 CITY OF CLIFTON
 PASSAIC COUNTY, NEW JERSEY

JOHN CORAK, P.E.
 NEW JERSEY LICENSE No. 54973
 LICENSED PROFESSIONAL ENGINEER



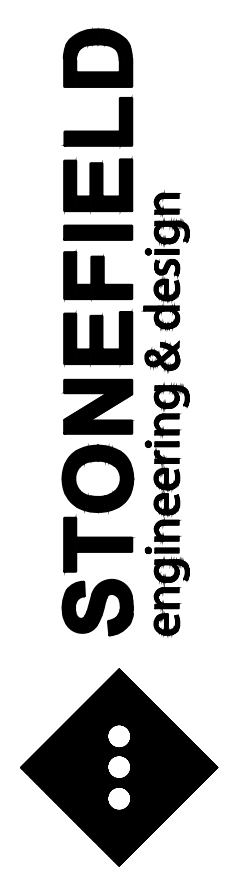
SCALE: SEE SCALE PROJECT ID: RUT-220013

TITLE:

FIRE TRUCK EGRESS

DRAWING:

NOT APPROVED FOR CONSTRUCTION



Rutherford, NJ · New York, NY · Boston, MA
 Princeton, NJ · Tampa, FL · Detroit, MI
 www.stonefielddesign.com

Headquarters: 92 Park Avenue, Rutherford, NJ 07070
 Phone 201.340.4468 · Fax 201.340.4472

ISSUE	DATE	BY	DESCRIPTION
1	10/04/2012	NLP	TURNING TEMPLATES